

meccalte



ECO 32

MECCALTE spa - Via Roma, 20 - 36051 CREAZZO (VI) ITALIA
 Tel. +39 0444/396111 - Fax +39 0444/396166 - e-mail : info@meccalte.it
 web site: www.meccalte.com

4 POLE

CHARACTERISTICS

INDUSTRIAL RATINGS

ambient 40 ° C

| Type | KVA - cos φ 0.8 - 3 Phase continuous | | | | | | | Efficiency | | | 1 Phase KVA COS φ 1 CL H (ΔT= 125 °C) DELTA |
|-------------------|--------------------------------------|-------------|------|--------------|--------------------|-----------|-----|--------------------|------|------|---|
| | CL H (ΔT= 125 °C) | | | | CL F (ΔT= 105 °C) | | | CL H (ΔT= 125 °C) | | | |
| Series Star Y | 380 | 400 | 415 | IP45 400V | 380 | 400 | 415 | 2/4 | 3/4 | 4/4 | 23,5 |
| Parallel Star YY | 190 | 200 | 208 | | 190 | 200 | 208 | | | | |
| Series Delta Δ | 220 | 230 | 240 | | 220 | 230 | 240 | | | | |
| Parallel Delta ΔΔ | 110 | 115 | 120 | | 110 | 115 | 120 | | | | |
| ECO32-2S/4 | 35 | 35 | 35 | 29 | 33 | 33 | 33 | 86,8 | 88,6 | 88,2 | 28 |
| ECO32-3S/4 | 42,5 | 42,5 | 42,5 | 34 | 39 | 39 | 39 | 87,3 | 89,1 | 88,6 | 33 |
| ECO32-1L/4 | 50 | 50 | 50 | 40 | 48 | 48 | 48 | 87,6 | 89,5 | 89,1 | 42 |
| ECO32-2L/4 | 63 | 63 | 63 | 53 | 60 | 60 | 60 | 89,5 | 90,8 | 90,2 | 48 |
| ECO32-3L/4 | 75 | 75 | 75 | 60 | 67 | 67 | 67 | 89,7 | 91,1 | 90,7 | |

| 60 Hz | CL H (ΔT= 125 °C) | | | | CL F (ΔT= 105 °C) | | | Efficiency | | | 1 Phase KVA COS φ 1 CL H (ΔT= 125 °C) DELTA |
|-------------------|--------------------|------|-------------|--------------|--------------------|-----|-----------|--------------------|------|------|---|
| | CL H (ΔT= 125 °C) | | | | CL F (ΔT= 105 °C) | | | CL H (ΔT= 125 °C) | | | |
| Series Star Y | 440 | 460 | 480 | IP45 480V | 440 | 460 | 480 | 2/4 | 3/4 | 4/4 | 28 |
| Parallel Star YY | 220 | 230 | 240 | | 220 | 230 | 240 | | | | |
| Series Delta Δ | 254 | 265 | 277 | | 254 | 265 | 277 | | | | |
| Parallel Delta ΔΔ | 127 | 133 | 138 | | 127 | 133 | 138 | | | | |
| ECO32-2S/4 | 42 | 42 | 42 | 34,8 | 40 | 40 | 40 | 89 | 90,2 | 89,8 | 34 |
| ECO32-3S/4 | 51 | 51 | 51 | 40,8 | 49 | 49 | 49 | 89 | 90,6 | 90 | 39,5 |
| ECO32-1L/4 | 60 | 60 | 60 | 48 | 58 | 58 | 58 | 89,1 | 92,1 | 91,8 | 50 |
| ECO32-2L/4 | 71 | 75,5 | 75,5 | 63 | 68 | 72 | 72 | 91,1 | 93,3 | 92,8 | 60 |
| ECO32-3L/4 | 86 | 90 | 90 | 72 | 80 | 83 | 83 | 91,1 | 93,4 | 93,2 | |

STANDBY RATINGS

| Type | KVA Temp. Rise / Ambient °C | | | KVA Temp. Rise / Ambient °C | | |
|------------|-----------------------------|------------|------------|-----------------------------|------------|------------|
| | 50 Hz | | | 60 Hz | | |
| | 163° / 27° | 150° / 40° | 125° / 27° | 163° / 27° | 150° / 40° | 125° / 27° |
| ECO32-2S/4 | 39 | 36,7 | 36,7 | 47 | 44 | 44 |
| ECO32-3S/4 | 48 | 46 | 46 | 57 | 54 | 54 |
| ECO32-1L/4 | 56 | 52,5 | 52,5 | 67 | 63 | 63 |
| ECO32-2L/4 | 71 | 65,5 | 65,5 | 83 | 78 | 78 |
| ECO32-3L/4 | 83 | 78 | 78 | 100 | 93,7 | 93,7 |

| Type | J (Kgm ²) B3-B14 FORM | Weight (Kg) | Air Volume | | Noise dB(A) | | | |
|------------|---|----------------|-----------------------------|-----------------------------|-------------|----|-------|----|
| | | | | | 50 Hz | | 60 Hz | |
| | | | 50 Hz (m ³ /min) | 60 Hz (m ³ /min) | 1m | 7m | 1m | 7m |
| ECO32-2S/4 | 0,322 | 199 | 11,8 | 14,5 | 75 | 60 | 79 | 64 |
| ECO32-3S/4 | 0,350 | 214 | | | | | | |
| ECO32-1L/4 | 0,421 | 248 | | | | | | |
| ECO32-2L/4 | 0,503 | 282 | | | | | | |
| ECO32-3L/4 | 0,570 | 298 | | | | | | |

ACCESSORIES

| REGULATOR | | | | PARALLEL DEVICE | THERMAL PROTECTION | | | HEATERS | MECHANICAL PROTECTION | | |
|-------------------------------------|--------------------------|--------------------------|--------------------------|--------------------------|--------------------------|--------------------------|--------------------------|--------------------------|-------------------------------------|--------------------------|--------------------------|
| DSR | DER-1 | SR7/2 | UVR6 | | PTC | BIMET. DEVICE | PT100 | | IP21 | IP23 | IP45 |
| <input checked="" type="checkbox"/> | <input type="checkbox"/> | <input type="checkbox"/> | <input type="checkbox"/> | <input type="checkbox"/> | <input type="checkbox"/> | <input type="checkbox"/> | <input type="checkbox"/> | <input type="checkbox"/> | <input checked="" type="checkbox"/> | <input type="checkbox"/> | <input type="checkbox"/> |

● = Standard

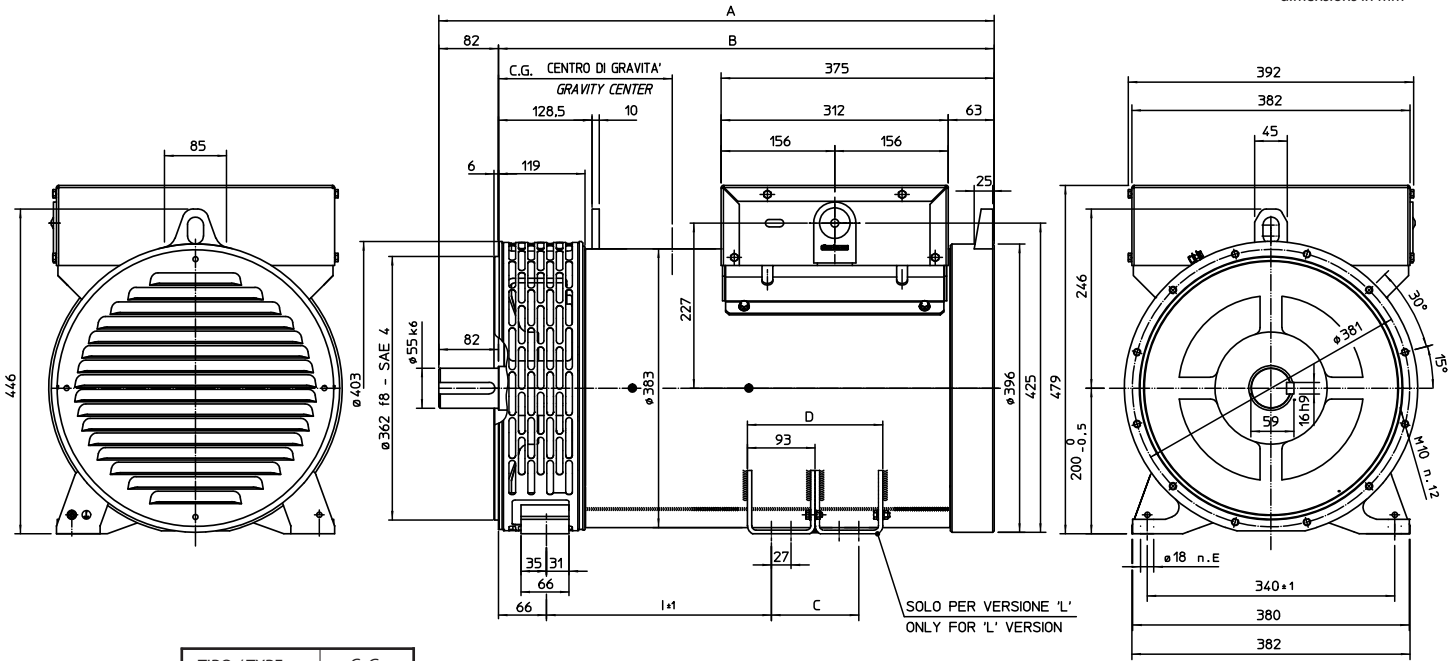
□ = Optional

Rating



OVERALL DIMENSIONS B3 - B14 FORM

dimensions in mm

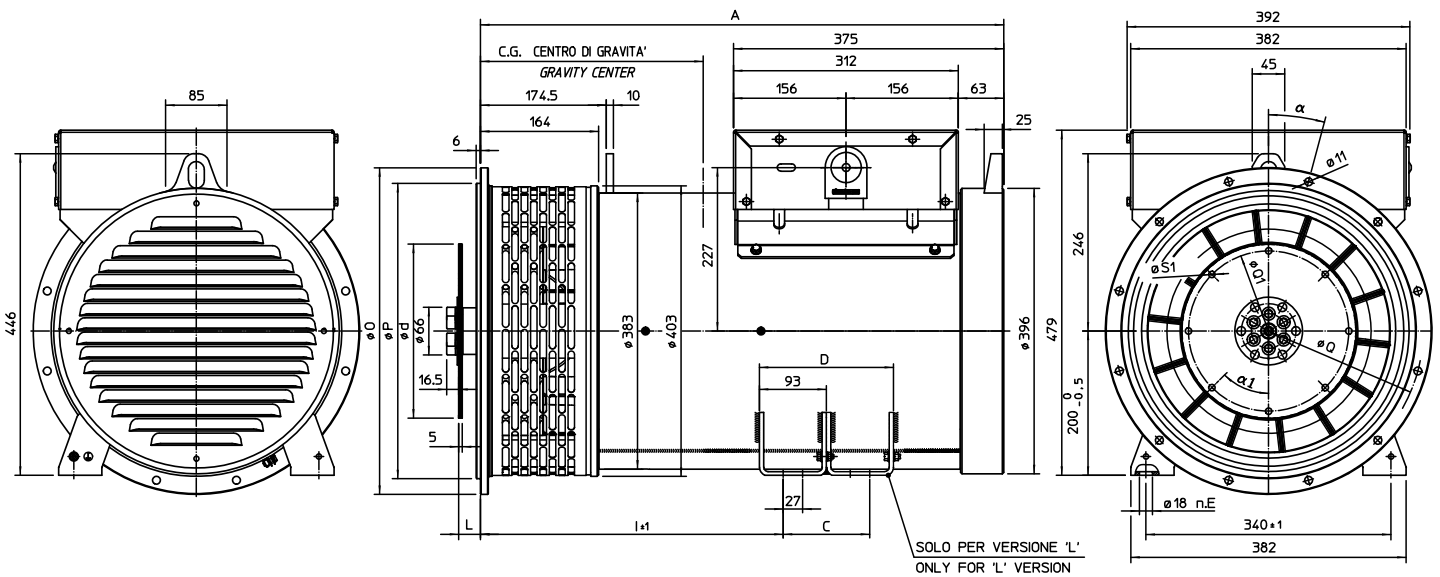


| TIPO / TYPE | C. G. |
|-------------|-------|
| ECO 32-2S/4 | 269 |
| ECO 32-3S/4 | 274 |
| ECO 32-1L/4 | 316 |
| ECO 32-2L/4 | 330 |
| ECO 32-3L/4 | 351 |

| TIPO/TYPE/TYP | A | B | I | C | D | E |
|---------------|-----|-----|-----|-----|-----|----|
| ECO 32 S | 638 | 556 | 185 | - | - | 6 |
| ECO 32 L | 763 | 681 | 310 | 120 | 186 | 10 |

OVERALL DIMENSIONS MD35 FORM

dimensions in mm



| TIPO / TYPE | C. G. |
|-------------|-------|
| ECO 32-2S/4 | 312 |
| ECO 32-3S/4 | 316 |
| ECO 32-1L/4 | 366 |
| ECO 32-2L/4 | 377 |
| ECO 32-3L/4 | 388 |

| TIPO/TYPE/TYP | A | I | C | D | E |
|---------------|-----|-----|-----|-----|---|
| ECO 32 S | 601 | 295 | - | - | 4 |
| ECO 32 L | 726 | 420 | 120 | 186 | 8 |

| SAE N. | GIUNTI A DISCHI DISC COUPLING DISQUE DE MONOPALIER SCHEIBENKUPPLUNG | | | | |
|--------|--|--------|--------|----|-----|
| | L | d | Q1 | S1 | α1 |
| 6 1/2 | 30,2 | 215,9 | 200 | 9 | 60° |
| 7 1/2 | 30,2 | 241,3 | 222,25 | 9 | 45° |
| 8 | 62 | 263,52 | 244,47 | 11 | 60° |
| 10 | 53,8 | 314,32 | 295,27 | 11 | 45° |
| 11 1/2 | 39,6 | 352,42 | 333,37 | 11 | 45° |

| SAE N. | FLANGE FLANGE BRIDE FLANSCH BRIDAS | | | |
|--------|--|-------|-------|-----|
| | O | P | Q | α |
| 5 | 356 | 314,3 | 333,4 | 45° |
| 4 | 403 | 362 | 381 | 30° |
| 3 | 451 | 409,6 | 428,6 | 30° |
| 2 | 490 | 447,7 | 466,7 | 30° |
| 1 | 552 | 511,2 | 530,2 | 30° |